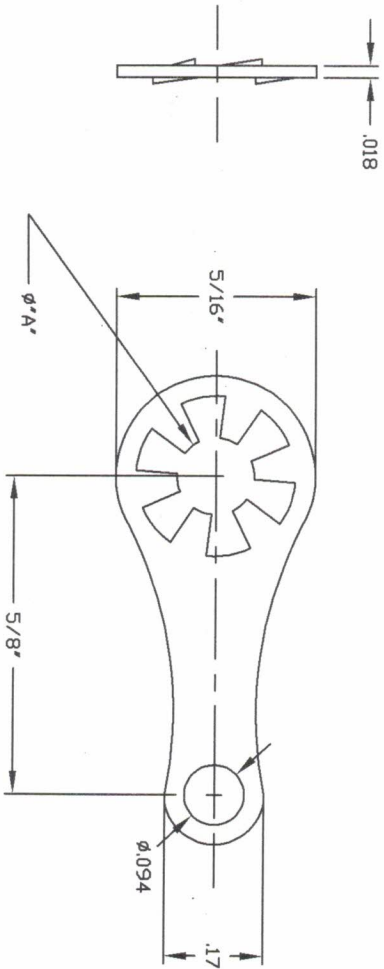


REVISIONS		REVISED BY	DATE	APPR
SYM	DESCRIPTION			



LUG TABLE			
PART NO.	DIM	"A" DIM.	
1410-04	4	.120	
1410-06	6	.144	
1410-08	8	.169	

MATERIAL BRASS 260 1/2 HARD		FINISH	TIN
DIMENSIONAL TOLERANCES		TITLE	
UNLESS OTHERWISE SPECIFIED		1410-04, 06, 08	
XX	XXX	SOLDER	
---	---	LUG	
FRACTIONS	ANGLES	SCALE	
---	---	5X	
HEAT TREAT	---	DRAWN	T. LORD
---	---	CHECKED	T. LORD
PLUT SCALE 1=1	---	APPROVED	T. LORD
		DATE 2/1/05	DATE 2/1/05
		DATE 2/1/05	DATE 2/1/05
		SIZE	DRAWING NUMBER
		B	SD: 1410-0X
		ISSUE	---

ABBATRON
 Electronic Connectors and Hardware
 632 Arch Street, Meadville, Pa. 16335